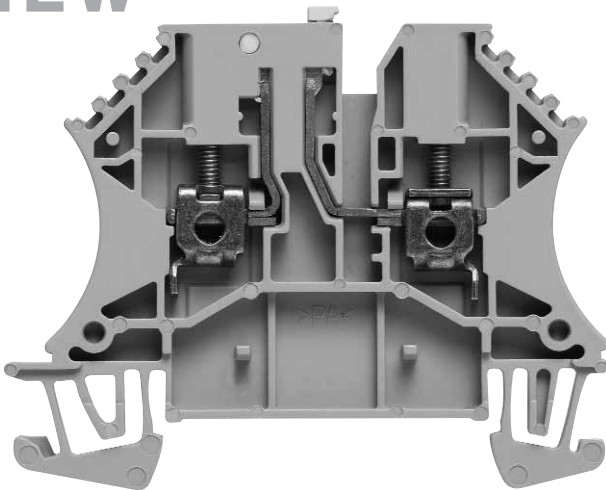


## Disconnect Terminals with Screw (Clamping Yoke) Connection Technology WTR 2.5

**NEW**



Disconnect test terminals are specially designed for test and measurement tasks. Electrical circuits can be disconnected from the supply by means of their disconnect lever: an advantage for quick troubleshooting.

The new WTR terminals are now equipped with even more functionalities. The disconnect lever area allows you to carry out the disconnection by means of either the lever or a pull pin (TNST).

ZQV 2.5N pluggable cross-connections enable time and cost-saving feed-through of potentials to adjacent terminals. System accessories increase the range of possible applications: for example the fuse holder SIHA is all that is needed to create a fuse terminal. The component plug holder (BEST) converts the WTR into a component terminal. The integrated test point for 2.3 mm test plugs guarantee continued readings of potentials.

### United States

Weidmüller  
821 Southlake Blvd.  
Richmond, Virginia 23236  
Telephone: (800) 849-9343  
Facsimile: (804) 379-2593  
Email: [info@weidmuller.com](mailto:info@weidmuller.com)  
Website: [www.weidmuller.com](http://www.weidmuller.com)

### Canada

Weidmüller, Canada  
10 Spy Court  
Markham, Ontario L3R 5H6  
Telephone: (800) 268-4080  
Facsimile: (905) 475-2798  
Email: [info1@weidmuller.ca](mailto:info1@weidmuller.ca)  
Website: [www.weidmuller.ca](http://www.weidmuller.ca)

### Mexico

Weidmüller, Mexico  
Ave. Ingenieros Civiles 204-B  
Conjunto Industrial Chachapa  
Chachapa Amozoc, Puebla  
72990, Mexico  
Telephone: 01 222 2866246/47/48  
Facsimile: 01 222 2866242

# Disconnect terminals

## WTR 2.5

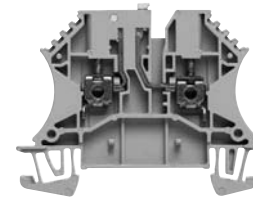
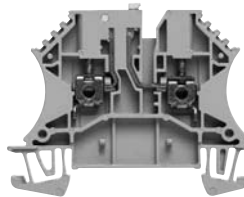
2.5 mm<sup>2</sup>

## WTR 2.5 StB

2.5 mm<sup>2</sup>

With clamping screw

With socket



**Width/Length/Height with TS35x7.5** mm  
 Max. current / max. cond. cross-section A/mm<sup>2</sup>  
 Max. clamping range mm<sup>2</sup>

**5.1 x 60 x 49**  
**24 / 4**  
**0.05 ... 4**



**5.1 x 60 x 49**  
**24 / 4**  
**0.05 ... 4**



### Technical data

Rated data	
Rated voltage feed through terminal	V
Rated current	A
Rated cross-section	AWG
Rated impulse voltage / Pollution severity	kV/-
Plug gauge IEC 60-947-1 / flammability class acc. UL94	
Approvals	

IEC 60947-7-1 / VDE 0100-537

IEC	UL	CSA	EN 50019
500	600	600	
24	20	20	
2.5 mm <sup>2</sup>	30 ... 12	30 ... 12	
6 / 3			
A3 / V-0			



#### Clampable conductors (H05V/H07V)

Solid / stranded	mm <sup>2</sup>
Flexible / flexible w. wire end ferrule	mm <sup>2</sup>
Tightening torque range (clamping screw)	Nm
Stripping length / blade size	mm / -

#### Rated connection

0.5...4 / 1.5...4
0.5...4 / 0.5...2.5
0.4...0.8 (M2.5)
10 / 0.6 x 3.5

IEC 60947-7-1 / VDE 0100-537

IEC	UL	CSA	EN 50019
500	300	300	
24	20	20	
2.5 mm <sup>2</sup>	30 ... 12	30 ... 12	
6 / 3			
A3 / V-0			



#### Rated connection

0.5...4 / 1.5...4
0.5...4 / 0.5...2.5
0.5...0.6 (M3)
10 / 0.6 x 3.5

#### 2 clampable conductors of equal cross-section

Solid / stranded	mm <sup>2</sup>
Flexible / flexible w. wire end ferrule	mm <sup>2</sup>

0.5...1.5
0.5...1.5 / 0.5...1.5

0.5...1.5
0.5...1.5 / 0.5...1.5

### Information

### Ordering data

Version	
	dark beige Wemid
	blue Wemid
	Without disconnecter, dark beige Wemid

Type	Qty.	Part No.
WTR 2.5	100	1855610000
WTR 2.5 BL	100	8731640000
WTR 2.5/O. TNHE	100	8731700000

Type	Qty.	Part No.
WTR 2.5 STB2.3	100	1855620000
WTR 2.5 STB2.3 BL	100	8731660000
WTR 2.5/O. TNHE STB2.3	100	8731670000

### Information

### Accessories

#### Cross-connection, pluggable



(ZQV 2.5N/4)

Type	Current [A]	Qty.	Part No.
ZQV 2.5N/2 GE	24	60	1693800000
ZQV 2.5N/3 GE	24	60	1693810000
ZQV 2.5N/4 GE	24	60	1693820000
ZQV 2.5N/10 GE	24	20	1693880000

Type	Current [A]	Qty.	Part No.
ZQV 2.5N/2 GE	24	60	1693800000
ZQV 2.5N/3 GE	24	60	1693810000
ZQV 2.5N/4 GE	24	60	1693820000
ZQV 2.5N/10 GE	24	20	1693880000

#### End plate / partition

End plate	dark beige Wemid
Partition	dark beige Wemid

Width [mm]			
WAP 2.5-10	1.5	50	1050000000
WAP 16+35 WTW 2.5-10	1.5	20	1050100000

Width [mm]			
WAP 2.5-10	1.5	50	1050000000
WAP 16+35 WTW 2.5-10	1.5	20	1050100000

#### End bracket

dark beige

Width [mm]			
WEW-35/2	8	100	1061200000

Width [mm]			
WEW-35/2	8	100	1061200000

#### Screwdriver

Standard version

SD 0.6X3.5X100	10	9008330000
----------------	----	------------

SD 0.6X3.5X100	10	9008330000
----------------	----	------------

#### Test plug

Test plug diameter 2.3 mm

PS 2.3 RT	20	0180400000
-----------	----	------------

#### Holder for fuse cartridges 5 x 20mm

400V ac/dc. without LED  
 10 - 36V ac/dc. red LED  
 140 - 250V ac/dc. red LED

SIHA 3/G20	25	7921560000
SIHA 3/G20/LD 10-36V	25	7921570000
SIHA 3/G20/LD 140-250V	25	7921600000

SIHA 3/G20	25	7921560000
SIHA 3/G20/LD 10-36V	25	7921570000
SIHA 3/G20/LD 140-250V	25	7921600000

#### Component plug (up to 250V)

reversible	standard
	with wire bridge
	with diode 1N4007

BEST	25	1833100000
BEST/DRBR	25	1878570000
BEST/D	25	1878560000

BEST	25	1833100000
BEST/DRBR	25	1878570000
BEST/D	25	1878560000

#### Isolating plug

yellow Wemid

TNST	25	1833090000
------	----	------------

TNST	25	1833090000
------	----	------------

#### Marking systems

Tags

WS 12/5 / DEK 5
-----------------

WS 12/5 / DEK 5
-----------------